

“P-CG” SERIES FILTERS

POOL FILTERS



Features:

- Made of high density polyethylene material, corrosive-proof, safe and environmental.
- Unitized thermal plastic filter tank, tough, durable and suitable for many different weather condition.
- East-to-use multiport valve lets you select any of the valve/filter operation with a simple lever-action.
- Compact and save space.
- Top diffuser ensures even distribution of water over the top of the sand bed.
- These sand filters are applicable in all types of pool, spa, fountain waterscape and aquarium.

Main parts:

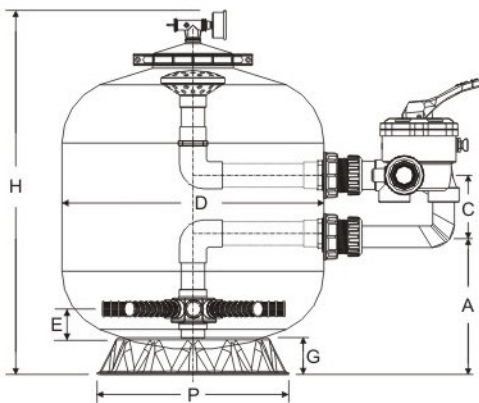
- Easy-to-use six-position valve makes the selection of the valve/filter simple.
 - * FILTER (Normal filtration and vacuuming).
 - * BACKWASH (Clean filter by reversing the flow).
 - * RINSE (Used after backwash to flush dirt from valve).
 - * WASTE (By-passes filter, used for vacuuming to waste or lowering water level).
 - * RECIRCULATE (By-passes filter for circulation water to pool).
 - * CLOSE.
- Unitized and durable tank.
- Special drainage design, to easy draining of the tank, easy to maintain and ice-free in winter.
- Pressure gauge makes it easier to examine and maintain.
- Air relief bolt enables easy release of trapped air during operation of the filter.



Standard: plastic clamp



Optional: stainless steel clamp



φ D(mm)	450	535	635	710
H(mm)	670	710	810	880
A(mm)	260	290	310	360
φ P(mm)	390	390	565	565
C(mm)	125	125	125	125
G(mm)	75	75	95	90
E(mm)	90	90	90	95

Model	Pipe Size (inches)	Filter Area (m ²)	Design Flow (m ³ /h)	0.5-0.8mm Sand Weight (kg)	Tank Volume (m ³)	Valve Volume (m ³)	Tank Weight (kg)	Valve Weight (kg)
P-CG450	1.5	0.16	8.00	50	0.15	0.02	7.0	3
P-CG500	1.5	0.23	11.50	80	0.20	0.02	10.2	3
P-CG650	1.5	0.32	16.00	160	0.32	0.02	13.1	3
P-CG700	1.5	0.40	20.00	220	0.42	0.02	18.0	3

MAXIMUM WORKING PRESSURE: 36psi/2.5/ cm²(PLASTIC CLAMP)

MAXIMUM OPERATING WATER TEMPERATURE≤50°C